

Leader L27

In this documentation you will find information about:

- Description
- Placement
- Maintenance
- Active / passive switch
- Connections
- Options
- Dynamic Damping Control
- Technical specifications

Description

The L27 combines an outstanding sound quality, especially in close-by listening applications, with a very solid and efficient construction. The L27 is equipped with a SA1502 15" woofer and a SA8535C Ribbon Compact Driver. The two-way monitor can be used with the built-in passive cross-over network as well as with an external active bi-amplification system.

Placement

The L27 is designed to be placed on the floor, in front of the musician. The L27 cabinet has a twin angle design, making positioning in two angles possible; 45 degrees and 60 degrees.

Maintenance

Maintenance on the L27, especially on the drivers and filters, is best left to official Stage Accompany service personnel. However, cleaning of the cabinet can easily be done by yourself with a damp lint-free cloth.

Active / passive switch

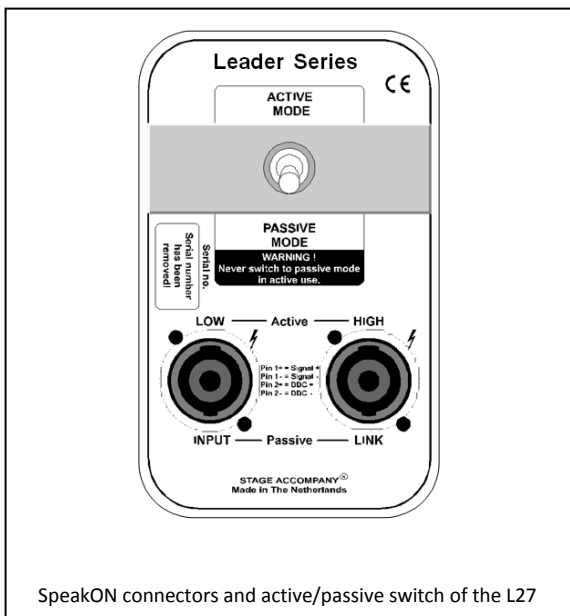
The 'active / passive' switch is located on the connector-panel of the L27 cabinet. This switch is countersunk to avoid mistakenly switching of the 'active/passive' mode (Caution: never switch to another mode when the cabinet is in use!).

Connections

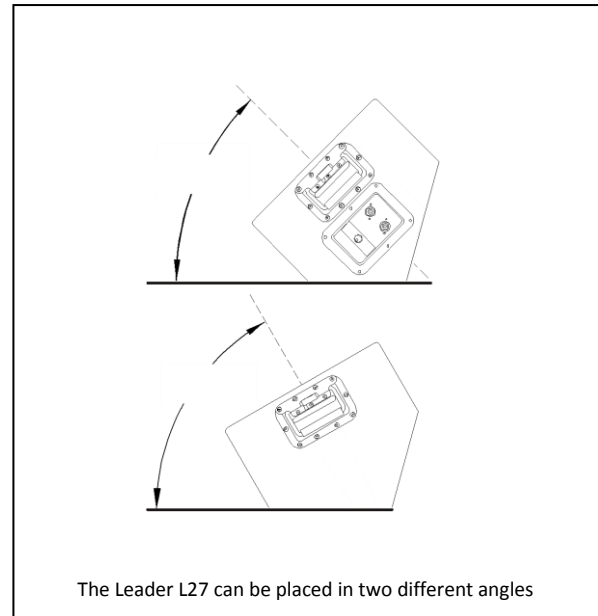
The L27 has two SpeakON NL4 connectors. If you use the L27 cabinet in 'passive' mode, read the descriptions below the connectors. If used in 'active' mode, read the descriptions above the connectors (Caution: incorrect connection when used in 'active' mode can cause damage to the loudspeaker components).

Options

The L27 is standard finished in SA Black Protecture, but is also available in any possible RAL color (Multi Color Option). The L27 is also available with left and right hand rotated baffle. For road use there is also a flight case available.



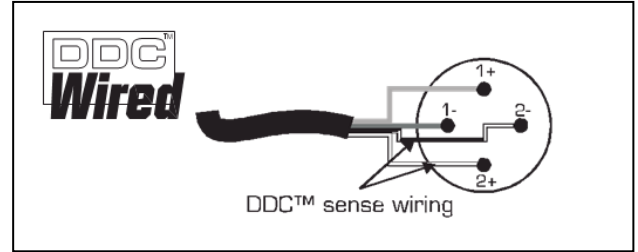
SpeakON connectors and active/passive switch of the L27



The Leader L27 can be placed in two different angles

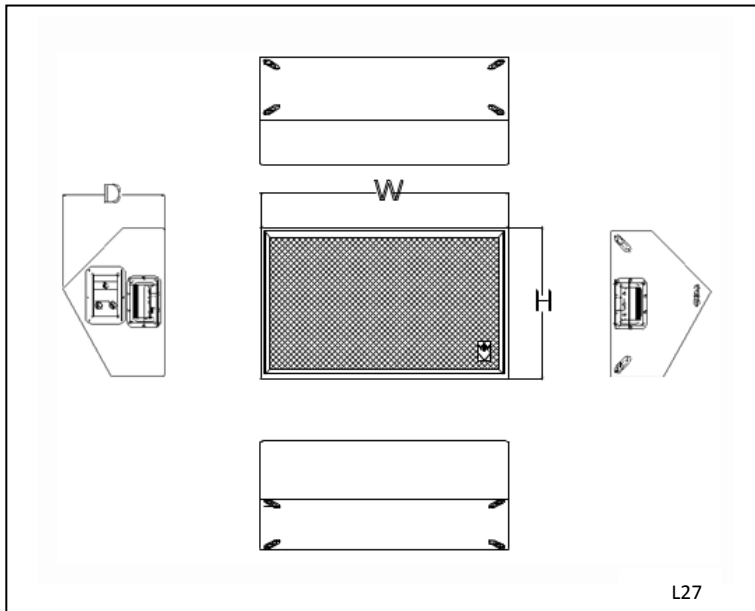
Wiring for DDC™

For absolute top quality sound reproduction, the L27 is equipped with Dynamic Damping Control™. The DDC™ system is based on two loudspeaker wires that return from the speaker to the (SA) amplifier. The picture on the right shows the wiring of a SpeakON NL4 connector in combination with the DDC™ system.



Technical specifications

Frequency response	: 80Hz – 30kHz (+/- 3dB)
Transducers	: 1 x SA1502, 15" LF driver 1 x SA8535C, neodymium HF driver
Cross-over frequency	: 1300Hz
Nominal impedance	: 8Ω (passive), 8Ω LF (active), 13Ω HF (active)
Sensitivity @ 1W/1m	: 102dB (passive), 102dB LF (active), 107dB HF (active)
Max. RMS power	: 400W (passive), 400W LF (active), 60W HF (active)
Max. Peak power	: 1000W (passive), 1000W LF (active), 1000W HF (active)
SPL program/peak	: 125dB/129dB (passive), 125/129dB LF (active), 125/137dB HF (active)
Coverage angles (@ 2kHz H x V)	: 70° x 40°
Enclosure construction	: 15mm Birch plywood, 2 handles, Protecture finish
Front	: expanded steel with acoustic transparent cloth
Color	: SA Black, other colors on request
Connectors	: 2 x SpeakOn NL4, 1 x Low / 1 x High (active), 1 x Input/1 x link (passive)
Physical dimensions (H x W x D)	: 460mm x 751mm x 325mm (18.1" x 29.6" x 12.8")
Weight	: 31kg (63.0lb)
Warranty	: 5 years limited (1 year on 'moving parts')



Stage Accompany bv
Haven 28
2984 BR Ridderkerk
The Netherlands
Tel: 31 (0)180 426225
Fax: 31 (0)180 421831
E-mail: info@StageAccompany.com

Copyright 2013 Stage Accompany bv .
The information in this document is continually being developed. Whilst every effort has been made to make it as accurate as possible, no warranty of accuracy is made or implied by the makers. Stage accompany shall have neither liability, nor responsibility to any person or entity with the respect to loss or damages in connection with or arising from the information contained in this document

That's How Music Should Sound!